

TECHNICAL INFORMATION



The manual raise / lower valve with RoRo-function, is used for raising and lowering the deck height of trailers with air suspension.

Benefits

- › Double circuit
- › Dead man's function
- › Push-to-connect fittings
- › High air flow for quick response
- › RoRo-function (Roll-on, Roll-off)
- › RtR-function (automatic reset to ride height)
- › Optional integration of test point (ISO 3583)
- › Minimising of transport, logistics, store costs
- › Application in conjunction with ABS & EB+
- › Bayonet connection DIN 72585-A1-2.1 SN / K1

COLAS+[®] dual

Haldex COLAS+[®] dual

Haldex is offering a new COLAS+[®] raise/lower valve which has an unparalleled high range of functions.

Not only the usual features such as dead man's function are integrated, it also uses the RoRo-position and its automatic reset to ride height if the driver forgets to switch back to the drive position. Reset to ride height (RtR) is a function, which prevents damaging of the bodywork and wheel suspension, controlled by the EB+ System: A corresponding signal is sent by the EB+ to COLAS+[®], which resets the chassis to drive height.

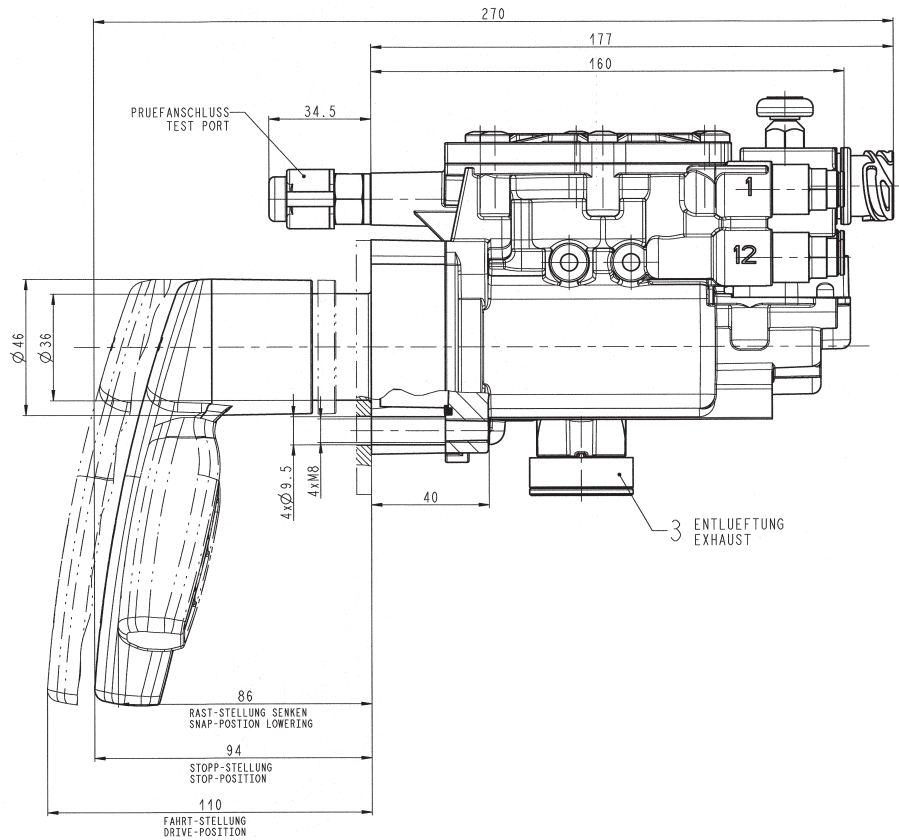
As further flexibility, a high air flow is realised.



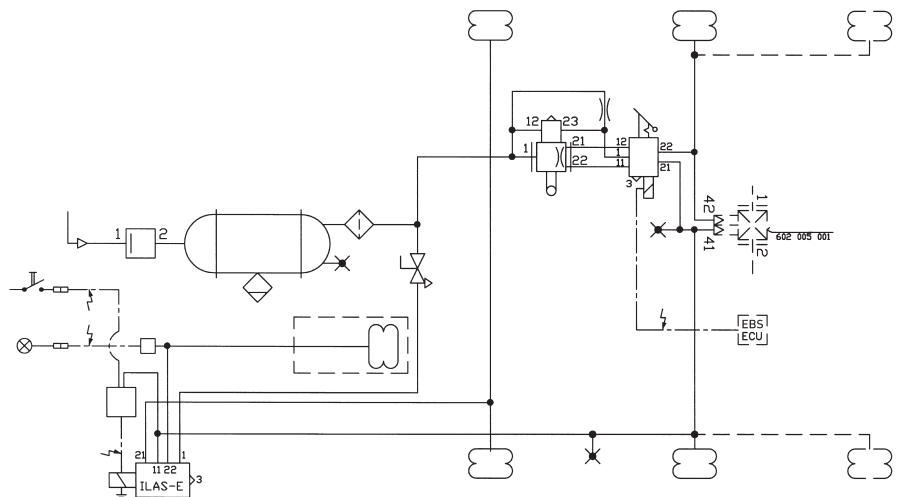
Innovative Vehicle Solutions

Design and function

Dimensions 338 07. ...



Schematic pneumatics 338 07. ...



COLAS+ dual

Port description

- 1 = Supply, DIN 74324-8x1
- 11, 12 = Levelling valve
- 21, 22 = to the air bellows
- 3 = Exhaust

Technical data

- Operating pressure p_e max 8.5 bar
- Operating temperature -40°C to $+80^{\circ}\text{C}$
- Permissible duty 10 s
- Voltage UB = 24VDC +7/-8
- Current/power $I_o = 150\text{mA}$ / $P_o = 3.5\text{W}$
- Type of protection DIN 40050-IP 6K 9K

Versions

- 338 071 101: with dead man's function, with RtR, 8 mm push-in, c/w test point, with „RoRo“ at lowering, c/w bayonet, c/w filter
- 338 071 111: with dead man's function, with RtR, 8 mm push-in, w/o test point, with „RoRo“ at lowering, c/w flat contact, c/w filter
- 338 071 121: w/o dead man's function, w/o RtR, 8 mm push-in, c/w test point, with „RoRo“ at lowering, c/w filter
- 338 071 131: with dead man's function, with RtR, 10 mm push-in, c/w test point, with „RoRo“ at lowering, c/w bayonet, c/w filter
- 338 071 141: with dead man's function, with RtR, 10 mm push-in, w/o test point, with „RoRo“ at lowering, c/w flat contact, c/w filter
- 338 071 151: with dead man's function, w/o RtR, 10 mm push-in, c/w test point, c/w filter